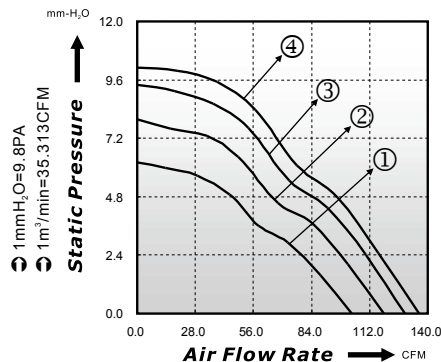


# 120x120x25mm

## Model D

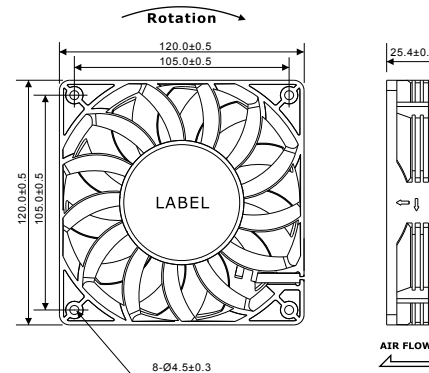


## P-Q Curve (At Rated Voltage)



## Dimensions Drawing

Unit: (mm)



Model No	Bearing (*)	Rated Voltage (VDC)	Rated Current (A)	Power Consumption (Watts)	Speed (rpm)	Air Flow (CFM)	Static Pressure (mmH <sub>2</sub> O)	Noise (dBA)	Curve
ED12025-12LB	●	12	0.65	7.80	3100	103.560	6.22	50.0	1
ED12025-12MB	●	12	0.95	11.40	3400	118.715	7.98	52.5	2
ED12025-12HB	●	12	1.20	14.40	3700	129.025	9.40	55.0	3
ED12025-12HHB	●	12	1.75	21.00	4100	136.036	10.10	57.0	4
ED12025-24LB	●	24	0.45	10.80	3100	103.560	6.22	50.0	1
ED12025-24MB	●	24	0.55	13.20	3400	118.715	7.98	52.5	2
ED12025-24HB	●	24	0.65	15.60	3700	129.025	9.40	55.0	3
ED12025-24HHB	●	24	0.85	20.40	4100	136.036	10.10	57.0	4
ED12025-48LB	●	48	0.25	12.00	3100	103.560	6.22	50.0	1
ED12025-48MB	●	48	0.35	16.80	3400	118.715	7.98	52.5	2
ED12025-48HB	●	48	0.45	21.60	3700	129.025	9.40	55.0	3
ED12025-48HHB	●	48	0.60	28.80	4100	136.036	10.10	57.0	4

\* Bearing Type: ○ Sleeve ● Two Ball ⊙ Hydro-Dynamic